

# DFS MODEL

The new DFS is your best-buy in features and price.

- Rechargeable/ AC battery operated
- Compatible with test stands and grips
  - Widest ranges of capacities (5N -2500N)
  - Satisfies any force testing requirement

## TRACK AND PEAK MODE



## Software:

Expand the power of testing with computer software

### NexGraph

Real time plt of force vs. time. Ideal for profile viewing of individual tests.

### NexData

Collect and manage test data stored. Analyze and compare your reading of batch tests.

## Standard Accessories:

- Charger adapter (220 volts EU plug/ 110 US plug)
- Sharp point, compression plate, and hook
- Plastic carrying case
- Calibration certificate

## Functions

- Strong metal enclosures
- Widest range capaci
- 0.2% accuracy
- High resolu
- White Backlit and reverse viewing
- Menu driven user friendly screen
- Standard USB and RS232 com ports
- 500 memory records, easy computer transfer
- 2 softwares (plotting & analysis)
- Reliable, proven quality
- Good support, spare parts and services
- 2 years warranty



USB and RS232 Port are both supported

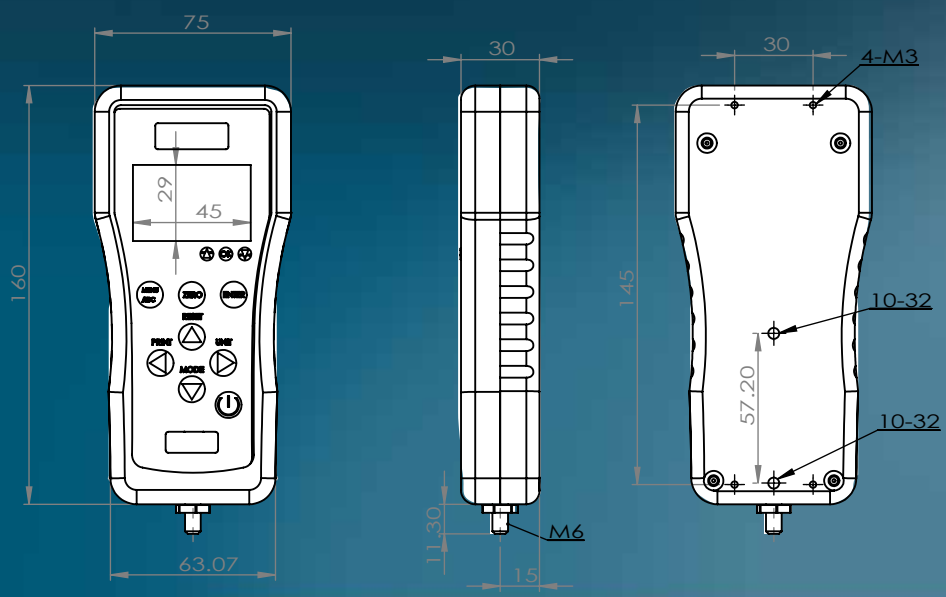




Sampling rate	1KHz
Memory for data (no or records)	500
Weight (kg/lb)	0.5/1.1
Battery full charging time (Hrs)	100 mA, 12 Hour
Battery shelves time (Days)	40
Battery usage at full charge (Hrs)	18
Charger (Wall type)	9 V, 500mA
Mounting threaded holes	2x M5(10-32) or 4x M3
Attachement	Male 6 mm Thread

## Standard Accessories

- Charger adapter (220volts EU plug/ 110volts US plug)
- Sharp point, compression plate and hook.
- Plastic carrying case.
- Calibration certificate



Capacity (N)	mN	N	kN	g-f	kg-f	oz-f	lb-f
5	5000 x 2	5 x 0.002	-	500 x 0.2	0.5 x 0.0002	17.5 x 0.010	1.1 x 0.0005
10	10000 x 5	10 x 0.005	-	1000 x 0.5	1 x 0.0005	35 x 0.02	2.2 x 0.0010
25	25000 x 10	25 x 0.010	-	2500 x 1.0	2.5 x 0.0010	87.5 x 0.05	5.5 x 0.002
50	50000 x 20	50 x 0.02	-	5000 x 2	5 x 0.002	175 x 0.10	11 x 0.005
100	-	100 x 0.05	-	10000 x 5	10 x 0.005	350 x 0.2	22 x 0.010
250	-	250 x 0.10	-	25000 x 10	25 x 0.010	875 x 0.5	55 x 0.02
500	-	500 x 0.2	-	50000 x 20	50 x 0.02	1750 x 1.0	110 x 0.05
1000	-	1000 x 0.5	1 x 0.0005	-	100 x 0.05	-	220 x 0.10